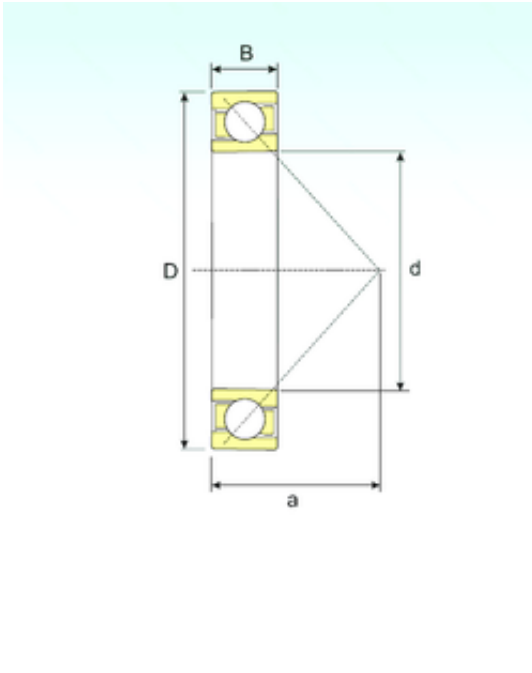




SIGMA BEARINGS EXPORTED LTD



7036 B Bearing 2D drawings and 3D CAD models

180 mm x 280 mm x 46 mm ISB 7036 B angular contact ball bearings

Bearing No. 7036 B

Size	180x280x46 mm
Bore Diameter	180 mm
Outer Diameter	280 mm
Width	46 mm
d	180 mm
D	280 mm
B	46 mm
C	46 mm
a	119 mm
Weight	10,9 Kg
Basic dynamic load rating (C)	195 kN
Basic static load rating (C0)	180 kN
(Grease) Lubrication Speed	1650 r/min