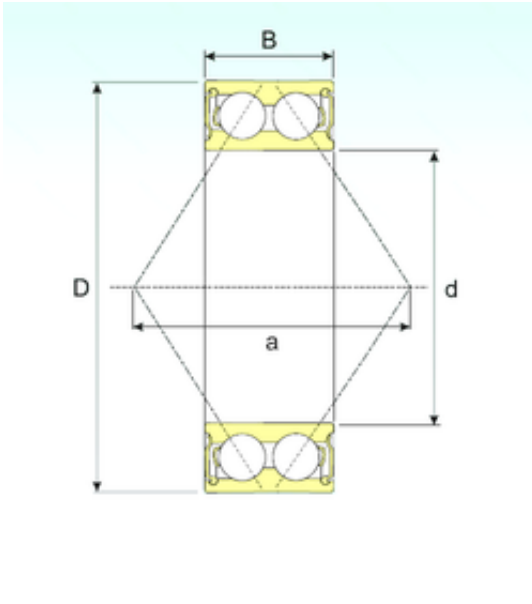




# SIGMA BEARINGS EXPORTED LTD



65 mm x 120 mm x 38,1 mm CYSD 5213 2RS  
angular contact ball bearings

Bearing No. 5213 2RS

Size	65x120x38.1 mm
Bore Diameter	65 mm
Outer Diameter	120 mm
Width	38,1 mm
d	65 mm
D	120 mm
B	38,1 mm
C	38,1 mm
r min.	1,5 mm
Weight	1,66 Kg
Basic dynamic load rating (C)	69,2 kN
Basic static load rating (C0)	63,1 kN

5213 2RS Bearing 2D drawings and 3D CAD models